

GMDHL Multi-Point Latch Handle

Features

- Latch handle suitable for applications such as machine sliding doors
- Latch is released when pulling the handle
- Two types of brackets available: In-line type and offset type
- Brackets and pipes can be combined freely
- Pipes are made of stainless steel or carbon fibre reinforced plastic, with 6 pipe length options. Other desired lengths can be achieved by cutting the pipe
- Carbon fibre reinforced plastic pipes are subject to UV-cut treatment to prevent discoloration. These carbon fibre reinforced plastic pipes are lightweight, high-strength, and are of a unique and high quality texture and high-quality feeling
- Linear rail for sliding doors with latch handles available
- Design door handle **GMDH** (without latch) also available

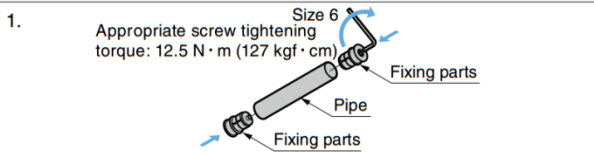
Notes

- Pipes and brackets are sold separately, brackets are sold by piece
- Hold the centre of handle for operation for efficient opening

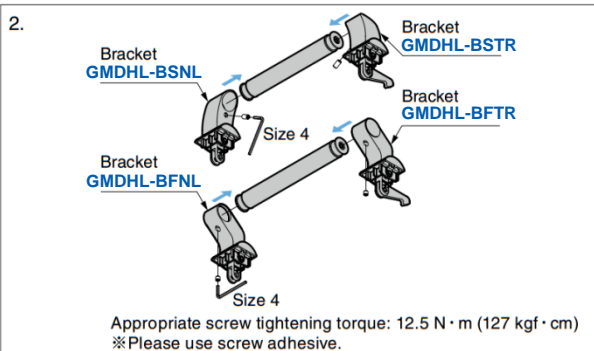
Installation Direction of Bracket



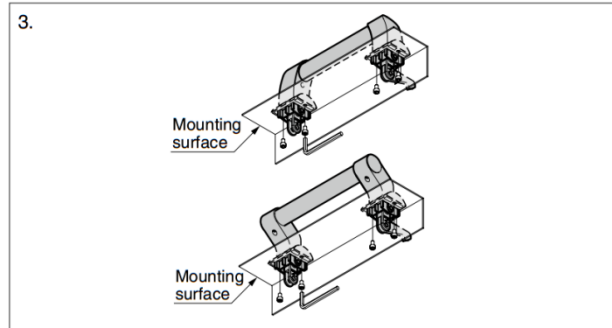
Installation



Insert the fixing parts (attached to the bracket) into both ends of the pipe until their flanges contact the pipe ends, and then tighten the screws with a hex key size 6 (not included).

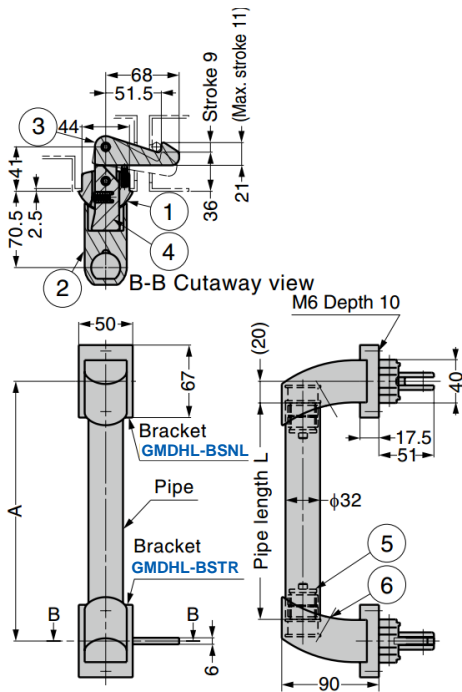


Insert the brackets on both sides into the pipe, and tighten the set screws (attached to the bracket) with a hex key size 4 (not included).

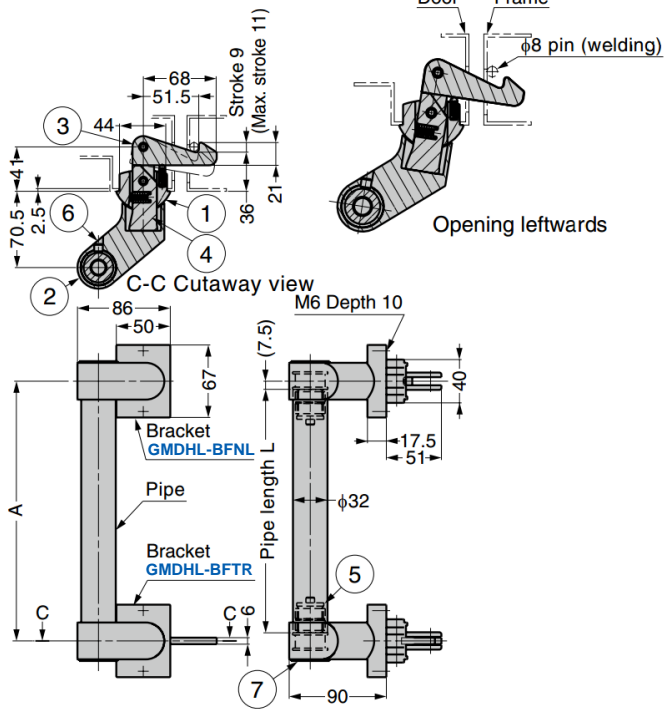


Installation of Bracket and Pipe

Bracket GMDHL-BS (in-line type)



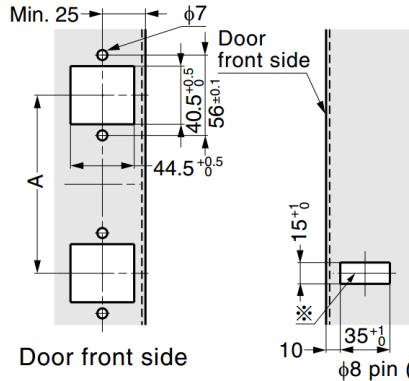
Bracket GMDHL-BF (offset type)



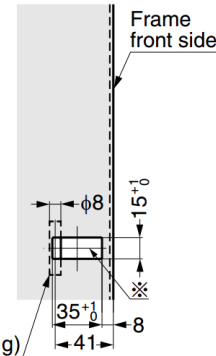
Fixing Parts ⑤



Cut Out Dimensions for Door



Cut Out Dimensions for Frame



In the above drawings, the upper parts are for **GMDHL-BSNL** or **GMDHL-BFNL**, and the lower parts are for **GMDHL-BSTR** or **GMDHL-BFTR**. When processing ※ marked part, note to align it with the centre of hook ③ of bracket

No.	Part Name	Material	Finish / Colour
①	Base	Zinc Alloy (ZDC)	Matte Chrome
②	Arm		
③	Hook	Steel (SPHC)	
④	Rotating Parts	Zinc Alloy (ZDC)	Plain
⑤	Fixing Parts		
⑥	Hexagon Socket Set Screw M8x8	Stainless Steel	Black
⑦	Cap	POM	

Bracket

Part No.	Type	Hook
GMDHL-BSTL	In-Line	With
GMDHL-BSNL		Without
GMDHL-BSTR		With
GMDHL-BSNR		Without
GMDHL-BFTL	Offset	With
GMDHL-BFNL		Without
GMDHL-BFTR		With
GMDHL-BFNR		Without

Pipe

Part No.	Bracket	Material	Finish	Pipe Length L	Mounting Hole Pitch A	Pipe Thickness	Load Capacity	
GMDHL-SPS240	GMDHL-BS (In-Line)	Stainless Steel 304	Satin	200	240	2	490 N	50 kg
GMDHL-SPS340				300	340			
GMDHL-SPS440				400	440			
GMDHL-SPS540				500	540			
GMDHL-SPS640				600	640			
GMDHL-SPS740				700	740			
GMDHL-SPC240*				Carbon Fibre Reinforced Polymer	Paint / Clear			
GMDHL-SPC340	300	340						
GMDHL-SPC440	400	440						
GMDHL-SPC540*	500	540						
GMDHL-SPC640*	600	640						
GMDHL-SPC740*	700	740						
GMDHL-FPS240	GMDHL-BF (Offset)	Stainless Steel 304	Satin			225		
GMDHL-FPS340				325	340			
GMDHL-FPS440				425	440			
GMDHL-FPS540				525	540			
GMDHL-FPS640				625	640			
GMDHL-FPS740		725	740					
GMDHL-FPC240*		Carbon Fibre Reinforced Polymer	Paint / Clear	225	240	2.5		
GMDHL-FPC340*				325	340			
GMDHL-FPC440*				425	440			
GMDHL-FPC540*				525	540			
GMDHL-FPC640*	625			640				
GMDHL-FPC740*	725	740						

* Made to order